

Rudder Angle Indicator System



Rudder Angle Indicator System

Raytheon Anschutz rudder angle indicator systems are characterized by a diversity of different indicators to fulfil individual customer needs.

Instruments in different sizes, scales, type of installations and protection grades. In addition three-face rudder angle indicators with a 270° panoramic indication and indicators according to Panama Canal Regulations are offered. The product line is completed by a rudder angle transmitter and a signal calibration

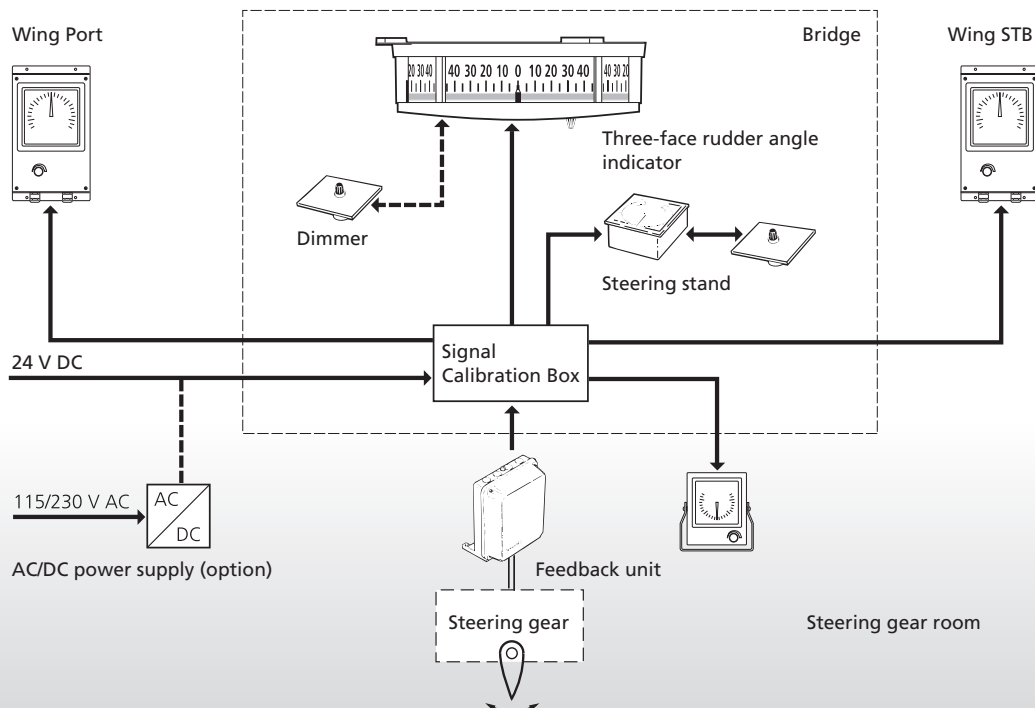
box that allows the perfect and simple adjustment of the system for up to ten indicators.

The rudder angle indicator system is a type approved and fulfils the latest normative references.



Signal calibration box

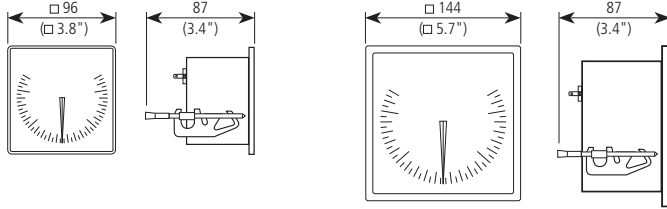
- Three-face rudder angle indicator with 270° panoramic indication
- Rudder angle indicators with different dimensions
- Different rudder scales depending on the rudder angle
- Internal or external dimming control
- Protection grades for indoor and outdoor use
- Signal calibration box for perfect and simple adjustment of the system



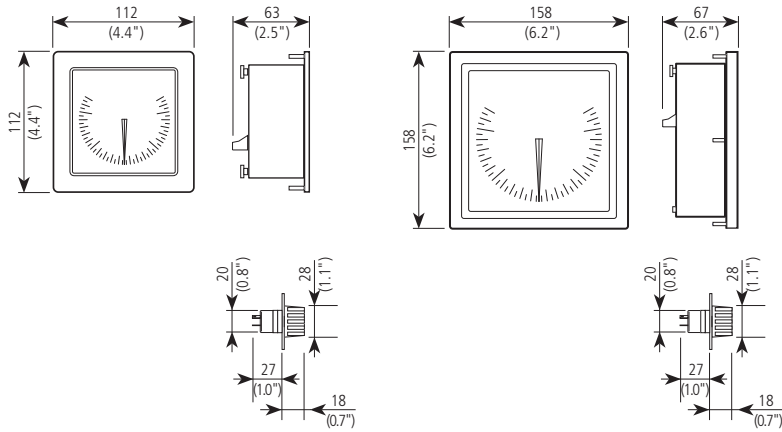


TECHNICAL DATA

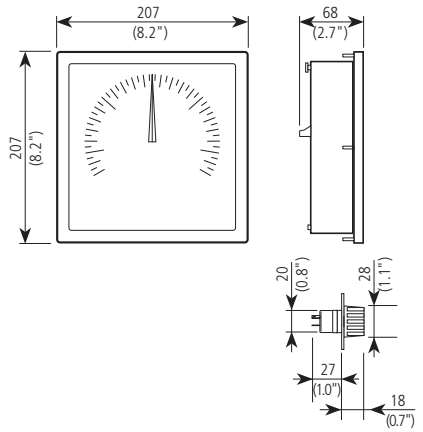
Rudder angle indicators/desk mount/for indoor use



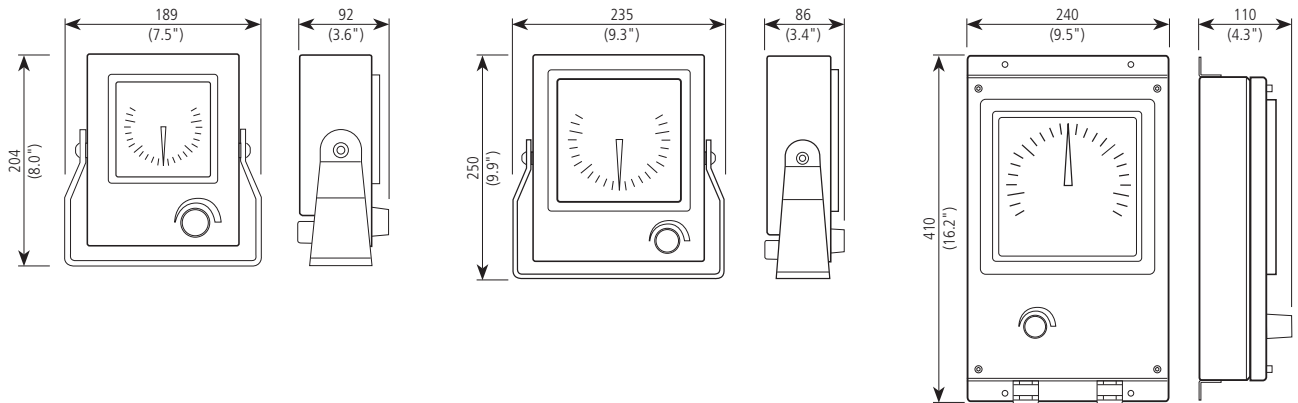
Rudder angle indicators and dimmer / desk mount / front waterproof



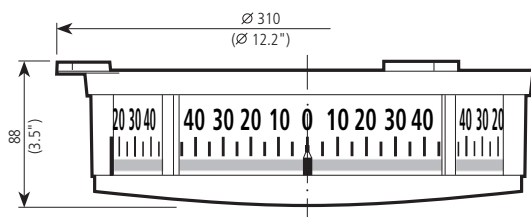
Large-rudder angle indicator according to Panama Canal Regulations (with pointer up)



Rudder angle indicators/bulk mount / casing waterproof



Three-face rudder angle indicator/ceiling mount



TECHNICAL DATA

Read-off accuracy

- $< 1^\circ$

Supply voltage & power consumption

- 24 V DC
- Optional 115/230 V AC

- Three-face rudder angle indicator max. 12 W
- Analog rudder angle indicator max. 3 W
- Signal Calibration Box max. 4 W

General data

- Permissible ambient temperature
- Indoor -15° to $+55^\circ\text{C}$
 - Outdoor -25° to $+55^\circ\text{C}$

Size of instruments

- 96 x 96 mm
- 144 x 144 mm
- 192 x 192 mm

Scale

- Red/green for port/starboard
- Display range 45° or 75° (standard)

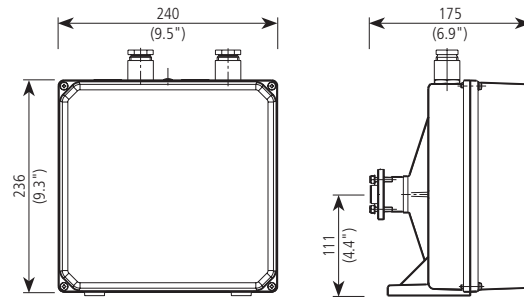
In accordance with

- IEC 60945 (2002), ISO 20673 (2007), IEC 62288 Ed. 1.0 (2008)
- IMO Res. A.694(17), MSC.97(73), MSC.36(63), MSC.191(79)

Type of enclosure acc. to IEC/EN 60529

- Three-face rudder angle indicator IP 23
- Rudder angle indicator (indoor use) IP 22
- Rudder angle indicator (outdoor use) IP 66
- Feedback unit IP 44

Feedback Unit (rudder angle transmitter)



Signal Calibration Box

