

P-3100 CIS Master Station

Art. No. 4000016771



DESCRIPTION:

The CIS Master Station P-3100 is a talk-back operator panel for the Command Intercom System. It contains all control logic and amplifiers for communication with up to 5 substations, type 9xxx. The functionality comprises point-to-point, group and all calls as well as emergency Public Address.

FEATURES:

- 5 substation/loudspeaker lines
- 4 control outputs for external call signal devices, substations 1-4
- Integrated microphone and loudspeaker
- Connection for gooseneck or handheld microphone
- Connection for additional, external loudspeaker
- Volume control in front
- Bridge wing extensions
- 12W output power (can be expanded by means of Line amplifiers)



ELECTRICAL SPECIFICATIONS:

Frequency range	300-3400 Hz
Power supply	24 VDC (22-32 VDC)
Power consumption	25W (peak), typical 3W
Fuse	5x20 mm, 1A F
Heat dissipation (typ/max)	< 3W/10W
Termination	Screw terminals $\leq 1.5 \text{ mm}^2$
Compass safe distance	>2.2m

ENVIRONMENTAL SPECIFICATIONS:

Temperature	-15°C to +55°C
Humidity	+93% (at +40°C)
Protection	IP-22

P-3100 CIS Master Station

Art. No. 4000016771

MECHANICAL SPECIFICATIONS:

Dimension (WxHxD)	144x144x100 mm
Weight	2.5 kg
Material	Aluminium / PC
Colour	RAL 9005 /Aluminium
Mounting	Flush / Console
Fixing	4 pcs M4 bolts
Access	Front
Cable entry	Rear
Manufacturer	Zenitel

CERTIFICATES / COMPLIANCES:

IEC 60945 Marine equipment

The unit has an RMRS type approval and is also compatible with NORSOK.

P-3100 CIS Master Station

Art. No. 4000016771

ACCESSORIES:

- 4000017654 Built-in PCB for 3100, 3101, 3102, additional 4 x sub stations with external signal
- 4000014258 Wallbox for 3102 / 3130 / 3132
- 4000017343 Goose Neck Microphone, standard
- 4000017171 Goose Neck Microphone, 60 centimeters
- 4000014582 Set, spare parts for CIS 3100 / 3101 /3102 / 3130/ 3131 / 3132 14197
- 400009017 Hand Microphone with cable and plug, indoor
- 4000016341 Connector for 9017 / 9117, console mounted
- 4000014758 Foot Switch
- 4000015203 Extension Cable for headset and hand microphone, 5 meters
- 4000015204 Extension Cable for headset and hand microphone, 10 meters

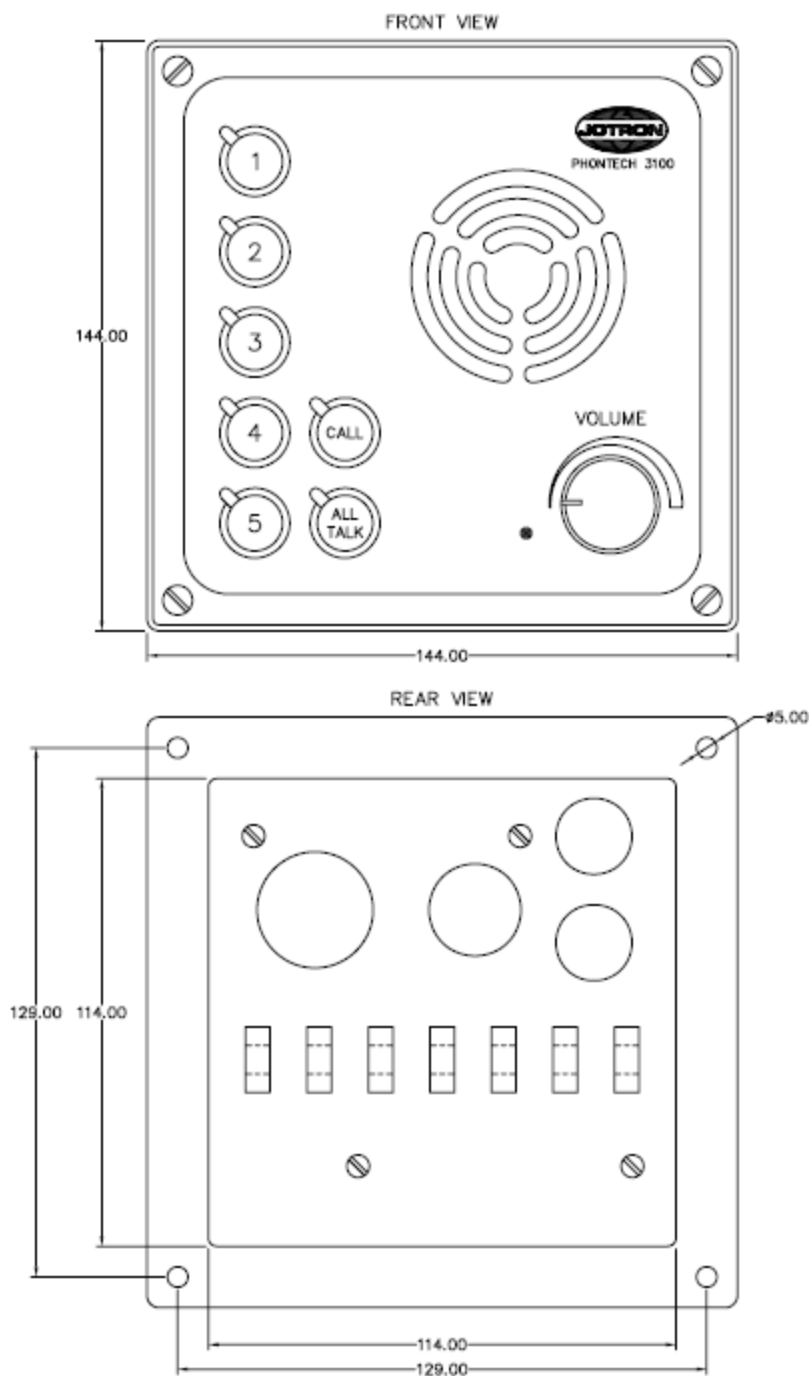
P-3100 CIS Master Station

Art. No. 4000016771

PHONTECH

by ZENITEL GROUP

DIMENSION / LAYOUT



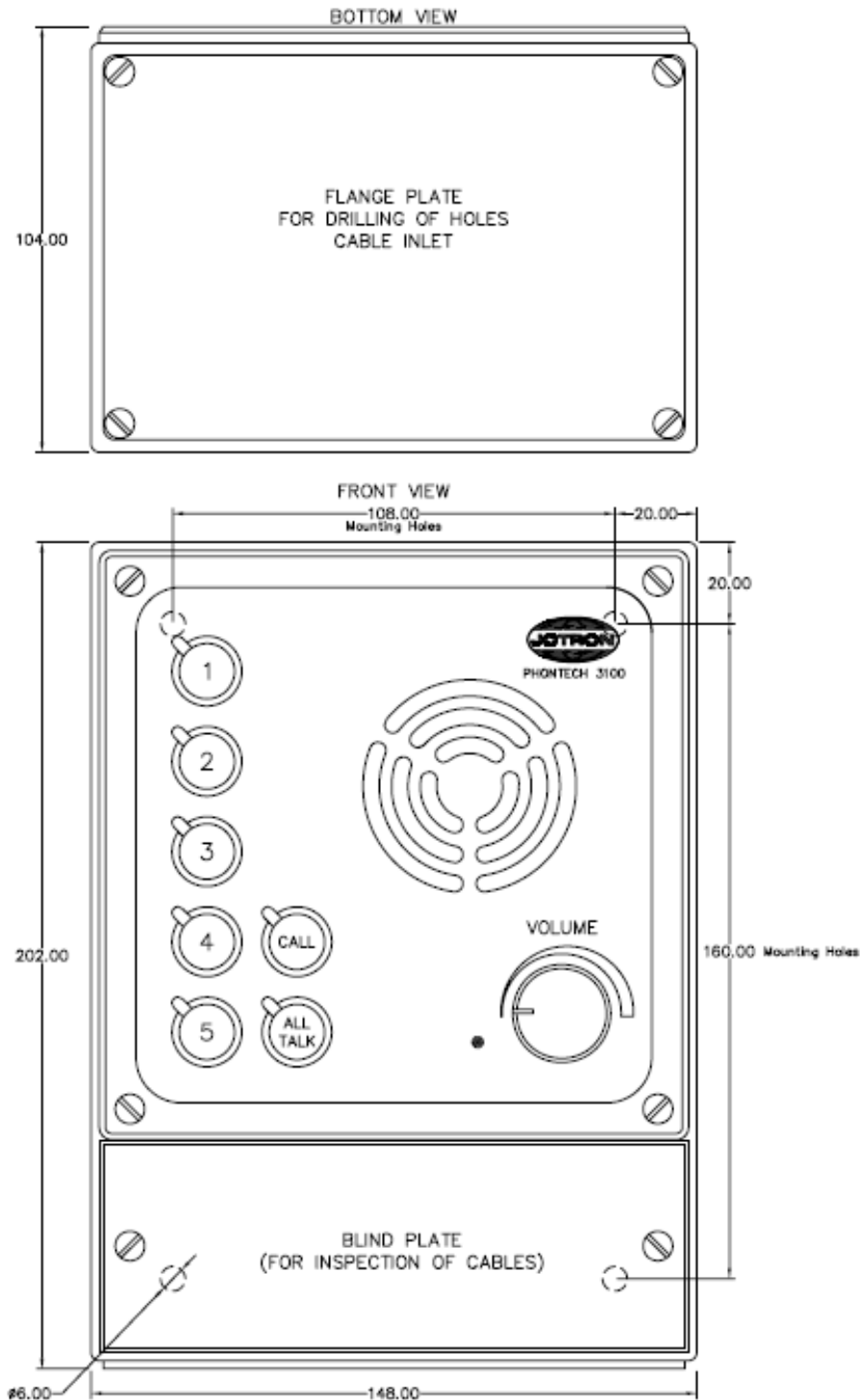
P-3100 CIS Master Station

Art. No. 4000016771

PHONTECH

by ZENITEL GROUP

Wall Mounting Box:

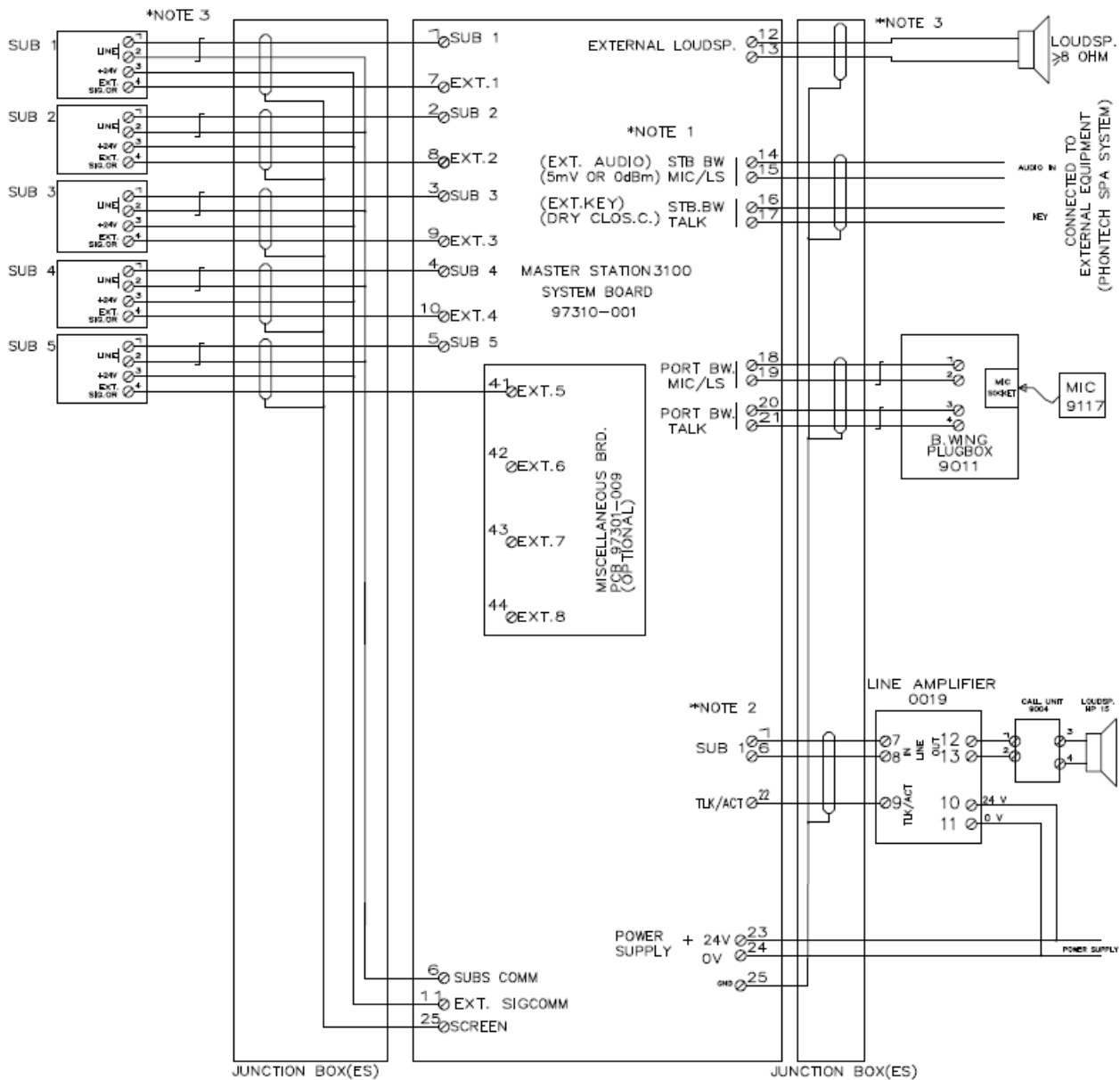


P-3100 CIS Master Station

Art. No. 4000016771

PHONTECH

by ZENITEL GROUP



- NOTE 1:** SAME AS PORT SIDE BW OR: (ST 3 ON THE PCB 97301-001 IS REMOVED) ALTERNATIV CONNECTION ON THE STB. BW TERMINALS CONNECTED TO PHONTECH SPA SYSTEM FOR EXTERNAL AUDIO INTERFACE. (ST3 ON THE PCB 97301-001 IS INSTALLED) IF 0 dBm AUDIO INSTALL ST 6 ON THE PCB 97301-001/011. IF MIC LEVEL (5mV) INSTALL ST 7 ON THE PCB 97301-001/011. REFERENCE TO DRAWING 97301-001-CD AND 97301-011-CD.
- NOTE 2:** DISPLAYS THE CONNECTION OF LINE AMPLIFIER 0019 (25W) TO LINE 1. THIS IS USED IN NOISY AREAS WHERE EXTRA SOUND LEVEL IS REQUIRED. CALL AND TALK BACK IS POSSIBLE IN THIS CONFIGURATION. THE 0019 MAY BE CONNECTED TO ANY LINE.
- NOTE 3:** THE CABLING BETWEEN THE SUBSTATIONS / FIELD EQUIPMENT, AND THE MASTER STATIONS SHOULD BE A SEPARATE NETWORK. I.E. DO NOT COMBINE WITH OTHER SIGNALS. THIS TO ENSURE UN-INTERFERED OPERATION.